

series
SKYMAX
 RM-440W-182M/108TB

N-TOPCon
 Bifacial Monocrystalline Module

- Light Redirecting Film: Ronma TOPCON modules use gap Light Redirecting Film technology to ensure the bifaciality and reliability of the module, meanwhile effectively increasing the power performance.
- No-Destructive Cutting: Ronma cells-cutting is using NDC (non-destructive) cutting technology, the cutting surface is smooth, which avoids the loss of the mechanical structure of the cells and ensures sufficient current.
- Junction Box Laser Welding Technology: Ronma uses the high energy density and precise positioning control capabilities of the laser to achieve high-quality welding. It can accurately control the junction box welding position and welding time to ensure welding quality and reliability, to improve module safety.

1722×1134×35/30 182×91

Dimensions (mm)

Cell size (mm)

108 CELL

Mono TOPCon

420-440Wp

Power output

1500V DC

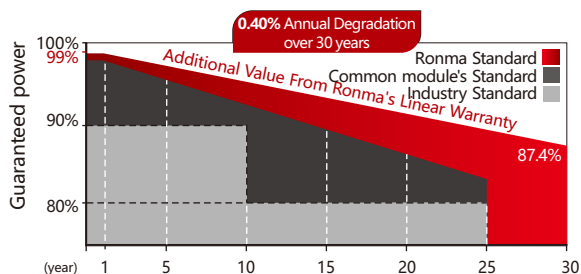
Max. system voltage

22.53%

Max. efficiency

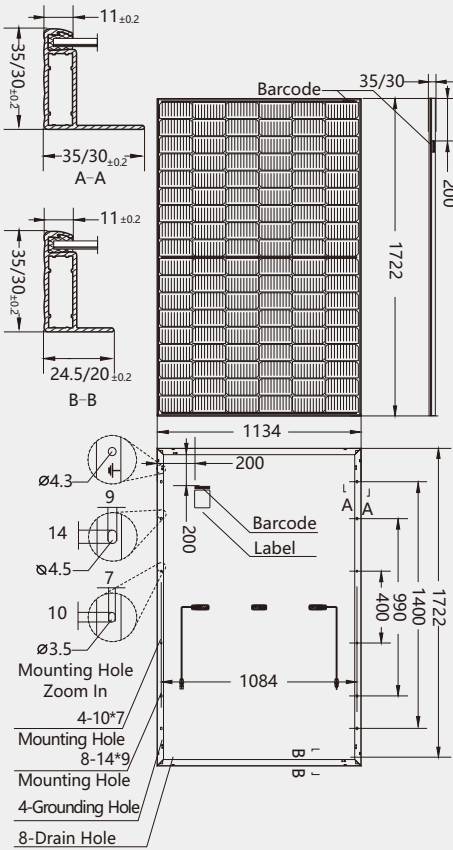
LINEAR PERFORMANCE WARRANTY

15-year product warranty / 30-year linear power warranty

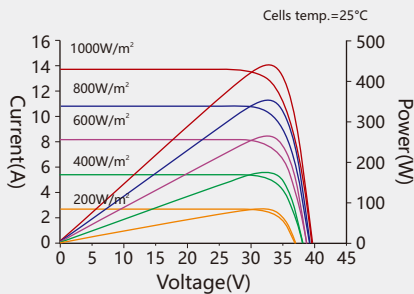


Dimensions of PV Module

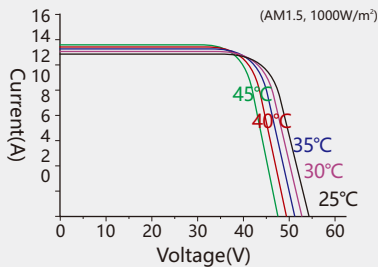
Unit: mm



RM-420W-182M/108T I-V characteristics at different irradiances



I-V characteristics at different temperatures



ELECTRICAL CHARACTERISTICS (STC*)

| Model Number | RM-410W-182M/108T | RM-415W-182M/108T | RM-420W-182M/108T | RM-425W-182M/108T | RM-430W-182M/108T | RM-435W-182M/108T | RM-440W-182M/108T |
|-------------------------------|-------------------|-------------------|-------------------|-------------------|-------------------|-------------------|-------------------|
| Rated Power in Watts-Pmax(Wp) | 410 | 415 | 420 | 425 | 430 | 435 | 440 |
| Open Circuit Voltage-Voc(V) | 37.73 | 37.92 | 38.11 | 38.30 | 38.49 | 38.65 | 38.81 |
| Short Circuit Current-Isc(A) | 13.91 | 13.99 | 14.07 | 14.15 | 14.23 | 14.32 | 14.41 |
| Max. Power Voltage-Vmpp(V) | 31.13 | 31.32 | 31.51 | 31.70 | 31.88 | 32.06 | 32.24 |
| Max. Power Current-Impp(A) | 13.17 | 13.25 | 13.33 | 13.41 | 13.49 | 13.57 | 13.65 |
| Module Efficiency(%) | 21.00 | 21.25 | 21.51 | 21.76 | 22.02 | 22.28 | 22.53 |
| Maximum system voltage | 1500V DC | | | | | | |
| Fuse Rating(A) | 25 | | | | | | |
| Temperature coefficient Pmax | -0.30%/°C | | | | | | |
| Temperature coefficient Isc | 0.046%/°C | | | | | | |
| Temperature coefficient Voc | -0.25%/°C | | | | | | |

*STC: Irradiance 1000W/m², module temperature 25°C, AM=1.5

WORKING CHARACTERISTICS (NOCT*)

| Model Number | RM-410W-182M/108T | RM-415W-182M/108T | RM-420W-182M/108T | RM-425W-182M/108T | RM-430W-182M/108T |
|-------------------------------|-------------------|-------------------|-------------------|-------------------|-------------------|
| Rated Power in Watts-Pmax(Wp) | 309 | 312 | 316 | 320 | 323 |
| Open Circuit Voltage-Voc(V) | 36.40 | 36.60 | 36.80 | 37.00 | 37.20 |
| Short Circuit Current-Isc(A) | 10.79 | 10.85 | 10.91 | 10.96 | 11.02 |
| Max. Power Voltage-Vmpp(V) | 29.58 | 29.73 | 29.95 | 30.19 | 30.30 |
| Max. Power Current-Impp(A) | 10.44 | 10.49 | 10.55 | 10.60 | 10.66 |
| Power tolerance | 0~+3% | | | | |
| NOCT | 45°C±2°C | | | | |
| Operating Temperature | -40°C~85°C | | | | |

*NOCT: Irradiance 800W/m², ambient temperature 20°C, wind speed 1m/s

MECHANICAL CHARACTERISTICS

| | |
|------------------------|---|
| Number of cells | 108pcs |
| Size of cell(mm) | 182×91 |
| Type of cell | N-TOPCon Mono |
| Thickness of glass(mm) | 2.0 |
| Junction box | IP68, 1500V DC, 3 Diodes |
| Type of frame | Anodized Aluminum Alloy |
| Size of module(mm) | 1722×1134×35/30 |
| Weight(kg) | 25 |
| Cables/connectors | 4.0mm ² , MC4 compatible |
| Length of Cable | +300mm/-200mm (connector included) Length can be customized |

PACKAGING CONFIGURATION

| | | |
|---|----------------|----------------|
| Height of Modules (mm) | 35 | 30 |
| Number of Modules Per Pallet | 31 | 36 |
| Packaging Box Dimensions (l×w×h) (mm) | 1750×1120×1260 | 1750×1120×1260 |
| Box Gross Weight (kg) | 706 | 802 |
| Number of Modules Per 40ft (HQ) Container | 800 | 930 |
| Number of Pallets Per 40ft (HQ) Container | 26 | 26 |

CAUTION: READ SAFETY AND INSTALLATION INSTRUCTIONS BEFORE USING THE PRODUCT
©2021 Ronma Solar. All rights reserved. Specifications included in this datasheet are subject to change without notice.

